



# CHOOSE YOUR RUGGEDNESS



## GWM TANK 300

On-the-Road Price (Without Insurance):

**RM 252,879.00\***

## GWM TANK 300 **HEV**

On-the-Road Price (Without Insurance):

**RM 263,363.00\***

**LIFETIME WARRANTY\*\***

FOR ENGINE AND TRANSMISSION

**6 YEARS UNLIMITED MILEAGE WARRANTY**  
FOR VEHICLE AND HEV SYSTEM\*\*\*

**8 YEARS / 180,000KM POWER BATTERY WARRANTY\*\*\***

**5 YEARS FREE L2 VEHICLE TELEMATICS SERVICE\*\*\***

**5 YEARS FREE MAINTENANCE**  
INCLUSIVE OF LABOUR AND PARTS

GWM OWNERS LOYALTY OFFER  
REBATE **RM 3,000**

\*Price is valid in Sabah & Sarawak, EXCEPT LABUAN.

\*\*Exclusive for first-hand private owner.

\*\*\*Only for HEV variant.

Registration fee is for Malaysian only. Non-Malaysian fees will differ.

Terms and conditions apply.

# RUGGEDNESS AND CAPABILITY OF A REAL 4X4

## ICE VARIANT

2.0T + 8AT | PART TIME 4WD



Max. Power  
162kW / 220PS

Max. Torque  
380Nm

## HEV VARIANT

2.0T + 9HAT | ON-DEMAND 4WD



Max. Combined Power  
255kW / 346PS

Max. Combined Torque  
648Nm

## BUILT FOR HARDCORE OFF-ROAD PERFORMANCE

The chassis features 99% high-strength steel, a longitudinal beam cross-section of up to 160x130 mm, and torsional rigidity of 284.5 kN-m/rad, ensuring outstanding structural strength and driving stability for all terrains.



TANK TURN ASSIST



CRAWL CONTROL MODE  
66% Maximum Climbing Degree



700mm MAX. WADING DEPTH



ALL-TERRAIN PROGRESS CONTROL (ATPC) SYSTEM

- ICE (9 Driving Modes)
- HEV (7 Driving Modes)

## OFF-ROAD ANGLES

DEPARTURE ANGLE



23°  
RAMP ANGLE



33°

APPROACH ANGLE



# RUGGED OUTSIDE, REFINED INSIDE



APPLE CARPLAY® AND ANDROID AUTO™ CONNECTIVITY



9-SPEAKER INFINITY SOUND SYSTEM



VENTILATED NAPPA LEATHER SEATS WITH MASSAGE  
(Massage for Driver Seat Only)



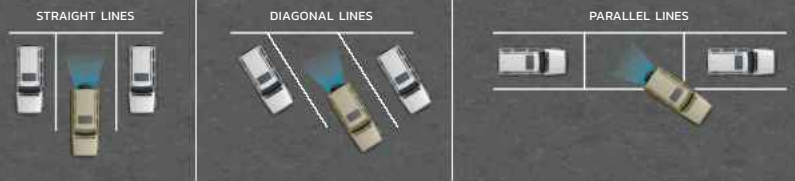
60:40 FOLDABLE SEATS

## SMART FEATURES (HEV EXCLUSIVE)



INTELLIGENT APP CONNECTIVITY

### 3 TYPES OF INTEGRATION INTELLIGENT PARKING (IIP)



FULLY AUTOMATIC PARKING ASSIST

### SMARTPHONE CONNECTIVITY

Enjoy our GWM Intelligent Application that delivers seamless convenience to your everyday life.



**DOORS AND WINDOWS STATUS**  
Doors And Windows Status, Doors And Windows Reminder, Lock And Unlock Doors, Close Windows



**LOW 12V BATTERY REMINDER**



**E-FENCE AND VEHICLE LOCATION**



**LOW FUEL LEVEL REMINDER**



**SUNROOF STATUS**



**SEAT VENTILATION STATUS**  
Turn On/Off Seat Ventilation



**TYRE TEMPERATURE AND TYRE PRESSURE STATUS**



**CLOSE SUNROOF**

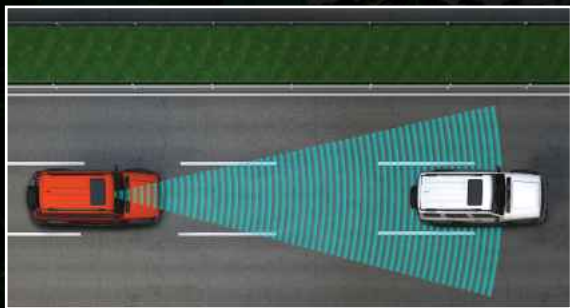


**AIR CONDITIONING STATUS**  
Turn On/Off Air Conditioning

# ALL-ROUND PROTECTION CONFIDENCE IN EVERY JOURNEY



**1,500** MPa  
ULTRA-HIGH STRENGTH BODY



## LEVEL 2 ADVANCED DRIVING ASSISTANCE SYSTEMS (ADAS)

Comprehensive safety technology safeguarding you and your passengers.

- ACC – Adaptive Cruise Control
- TJA – Traffic Jam Assist
- FCW – Front Collision Warning
- LDW – Lane Departure Warning
- LKA – Lane Keeping Assist
- LCK – Lane Centre Keeping
- ELK – Emergency Lane Keeping

- AEB – Autonomous Emergency Braking  
+ Junction Assist
- LCA – Lane Change Assistance
- RCW – Rear Collision Warning
- RCTA – Rear Cross Traffic Alert
- RCTB – Rear Cross Traffic Braking
- HDC – Hill Descent Control

## COLOUR



Dusk Orange  
(ICE Exclusive)



Sand Beige  
(HEV Exclusive)



Crystal Black



Pearl White

## WHEEL



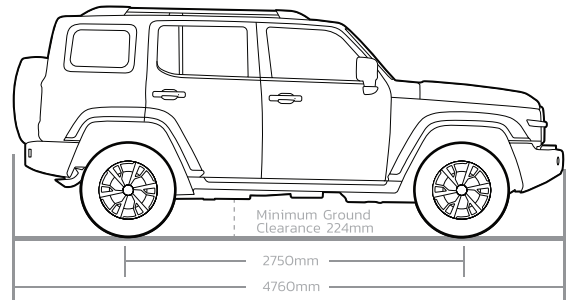
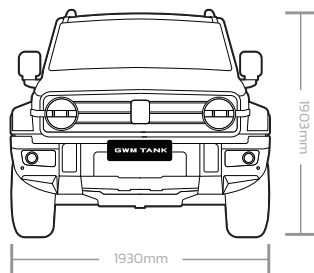
18" Dual-tone Alloy Wheel  
Highway Terrain Tyre  
(ICE Exclusive)



17" Black Alloy Wheel  
All-Terrain Tyre  
(HEV Exclusive)



Interior Colour: Black



For More Information:



GWM Malaysia



gwm.com.my



Customer Service Hotline  
**1800 18 2882**

(Monday – Friday, 8:30am – 5:30pm. Closed on weekends and public holidays.)



Email  
**support@gwm.com.my**

### Notice

The specifications, product information or images displayed herein are for illustration purposes. Some of the product and service information, illustrations and images contained herein may have been prepared for generic use and the actual products may vary from those displayed herein, owing to technical limitations.

The illustrations may show accessories, optional equipment or other features which are not part of the standard specification or service scope available in Malaysia. The company reserves the right to change all information, specifications, and grades without prior notice. For safety and efficiency in use, please refer to the manual before use. The company shall not be responsible for discrepancies or differences between the illustrations displayed in this Specification & Standard Equipment and the actual product.